

MOTECH MOTOR CO., LTD

Product Name

Hybrid Stepper Motor
MT-1701HSM140AE



Rev A

Made by

P.T

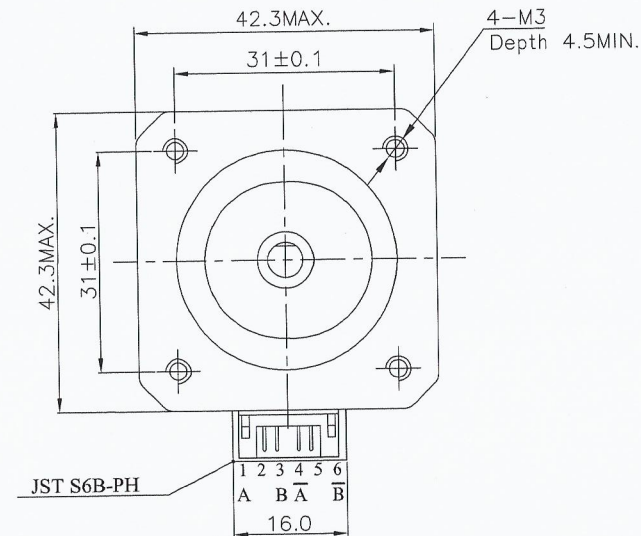
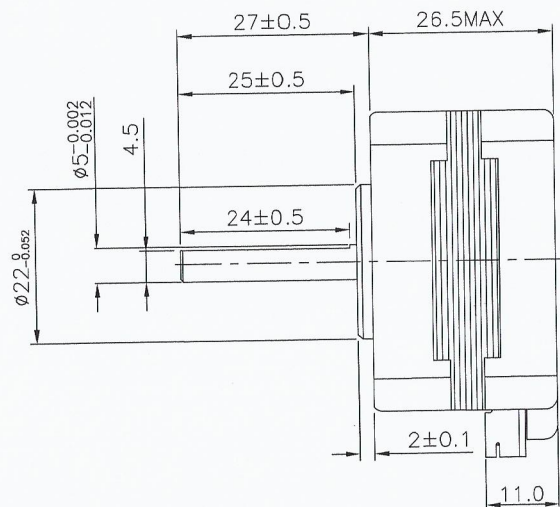
Approve

Martin

Date

2/27/2017

E3D SKU: E-MOTOR-NEMA17-26MM-D-SHAFT



Items	Specs	Items	Specs
Phase Number	2 phases	Step Angle	0.9°±5%
Rated Voltage	2.7 VDC	Rated Current	DC 1.4 A / Phase
Resistance(20°C)	1.9±10% Ω / phase	Inductance	2.0±20% mH / Phase
Holding Torque	≥ 1.3 Kg-cm(18 Oz.in)	Detent Torque	75 g-cm REF.
Rotate Direction	ABABA CW	MAX Starting PPS	2500 PPS
MAX slewing PPS	2500 PPS	Insulation Resistance	≥100 MΩ(DC 500V)
HI POT	AC600V/1mA/1S	Insulation Class	Class B
Rotor Inertia	30 g.cm ²	Weight	0.2 Kg REF.

Wiring Diagram

